



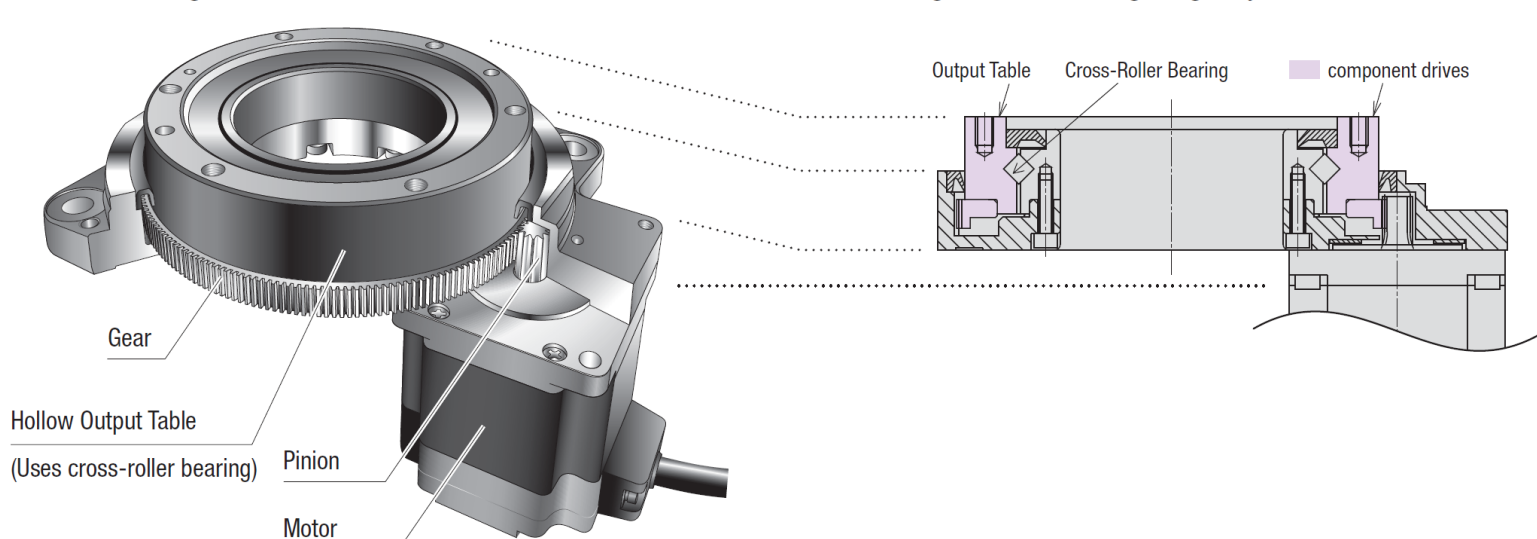
Hollow Rotary Actuators DGII Series

With Built-in AZ Series Battery-Free Absolute Sensor

[Click Here To Request DGII Brochure](#)

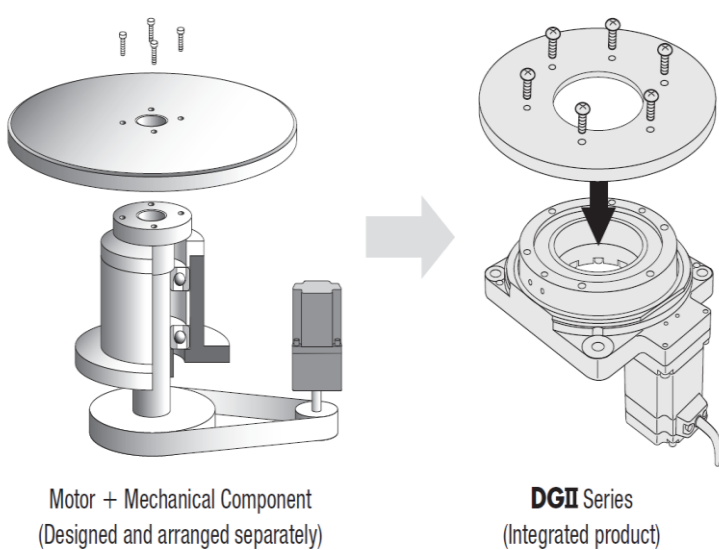
DGII AZ Series

A cross-roller bearing is used on the output table, which allows for both high load and high rigidity.



Simplified Design

Tables and arms can be installed directly onto the output table. This saves the hassle and cost of designing an installation mechanism, arranging necessary mechanism parts, adjusting the belt tension, etc., when mechanical components such as a belt and pulley are used for installation.



High Positioning Accuracy with Non-Backlash

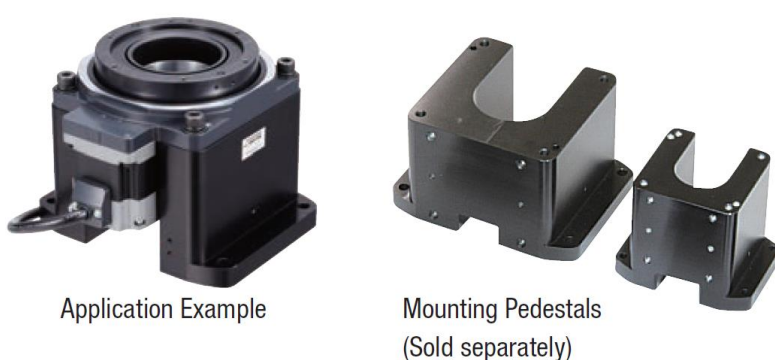
- Non-Backlash
- Repetitive Positioning Accuracy ± 15 arc seconds ($\pm 0.004^\circ$)

Note The repetitive positioning accuracy is measured at a constant temperature (normal temperature) under a constant load.

Mounting Pedestals (Sold separately) are Available as an Accessory

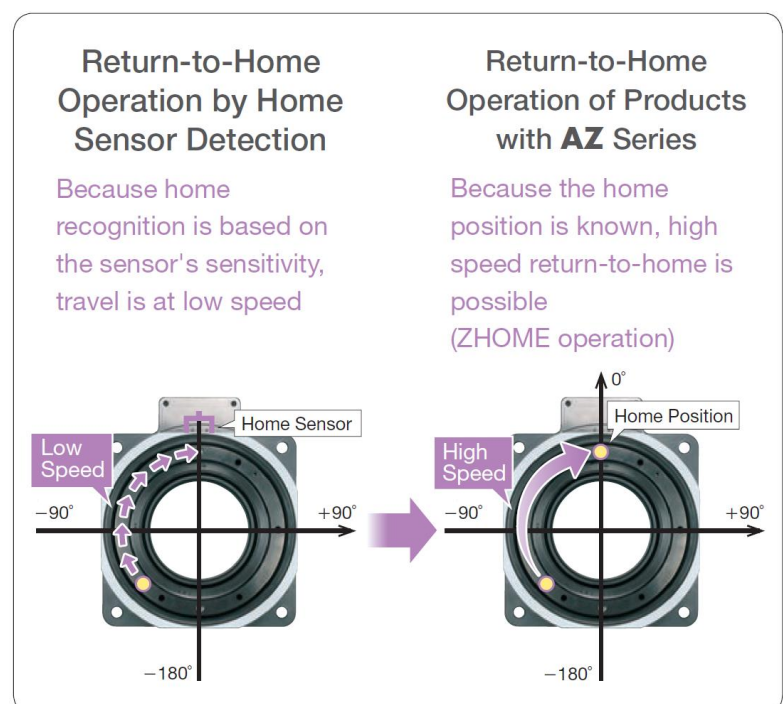
Mounting pedestal accessories are available to assist with the installation of the **DGII** Series.

- For applicable products, check page 37.



High-Speed Return-to-Home Operation

Because return-to-home is possible without using a home sensor, return-to-home can be performed at high speed without taking the specifications for sensor sensitivity into account, allowing for a shortened machine cycle.

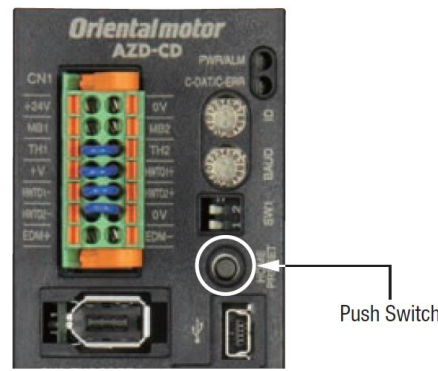
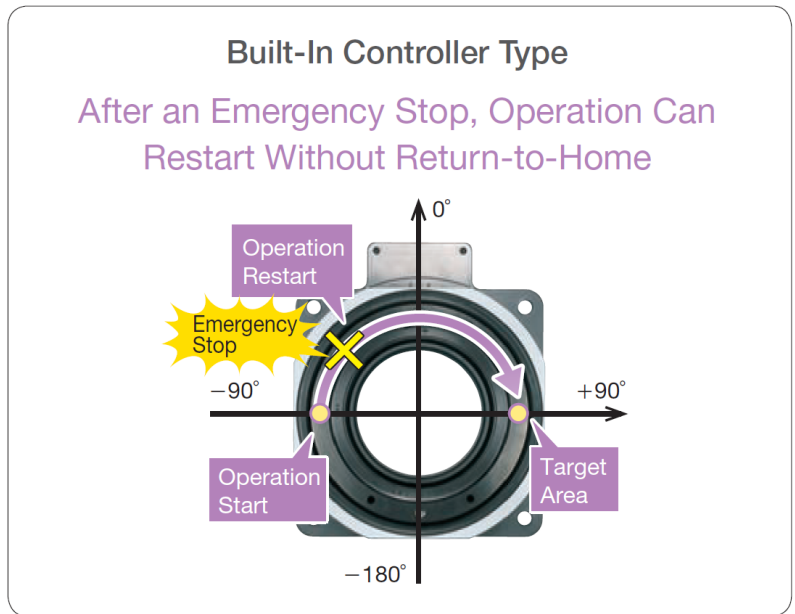


Easy Home Position Setting

The home position can be easily set by pressing a switch on the driver's surface, which is saved by the ABZO sensor. In addition, home setting is possible with the **MEXEO2** data setting software or by using an external input signal.

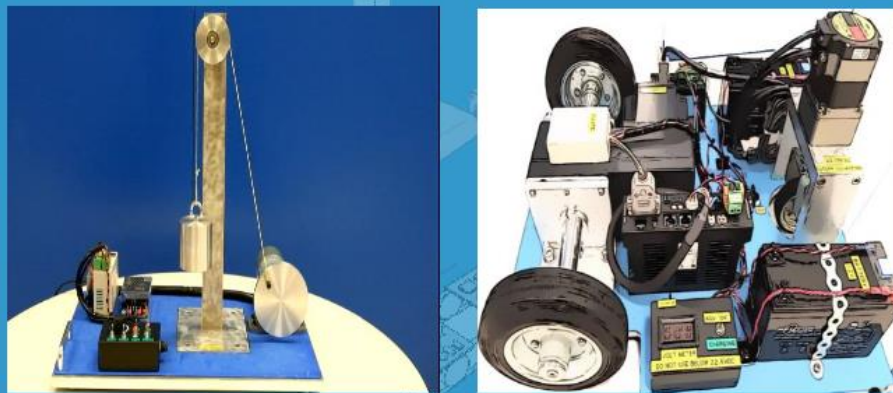
Return-to-Home Not Required

Even if the power shuts down during a positioning operation, the positioning information is retained. Furthermore, for built-in controller types, positioning operations can restart without a return-to-home when recovering from an emergency stop of the production line or a blackout.



FREE EVENT MOTOR FAIR 2017

In today world, automation plays a bigger role into making life easier for the society. This Motor fair will demonstrates and exhibits Oriental Motor products which integrates into your system to fulfil your application requirement.



*More to be reveal when you attend

1:30pm	Registration
2:00pm	Seminar : Motor Application and Product Line Up
3:00pm	Demoset Showcase and Tea Break
4:00pm	Survey Feedback and New Product Information
4:30pm	End of Motor Fair

Details

Date: 7th December 2017 | Time: 1.30pm – 4.30pm
Location: 31 Kaki Bukit Road 3, Techlink, #04-02/04, S417818

[REGISTER HERE](#)

For more information please contact us at : Sales@orientalmotor.com.sg Tel: +65 6745 7344
Or check out our website at : www.orientalmotor.com.sg